

# TESS 602 DATASHEET

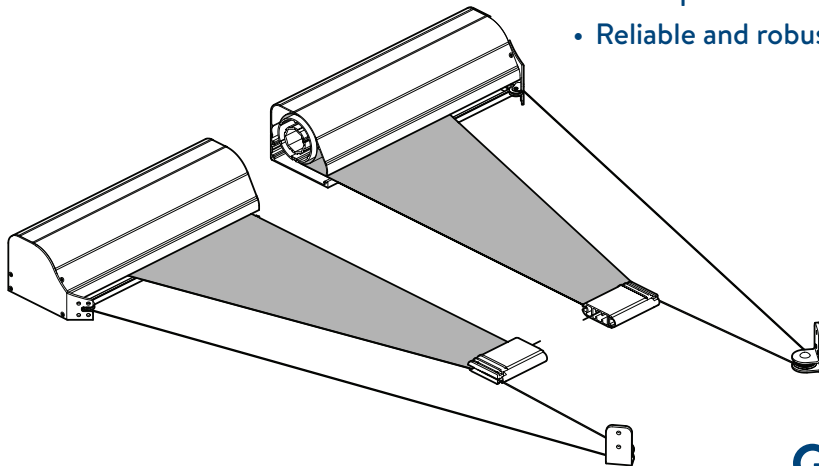
## COMPACT TRAPEZOIDAL SYSTEM

Stylish solution for bespoke shapes. Any angle, any direction, anywhere.

Modern glazing design is anything but square. For special shapes including domes and tapered windows, the TESS 602 provides an adaptable, compact solution. The compact headbox makes it easy to design into the glazing surround, inside or out, for near invisibility when retracted. Relieving rollers allow the blind to follow the direction of the curve whilst ultra-thin tension cables maintain fabric tension. Unlimited colour finishes and a wide range

of fabrics make it suitable for any project. Our single barrel mechanism keeps the fabric constantly under tension and produces a smooth, quiet travel.

- Compact single barrel system
- Trapezoidal or uneven shapes
- Domes, angles and curves
- Ultra-quiet motor
- Reliable and robust

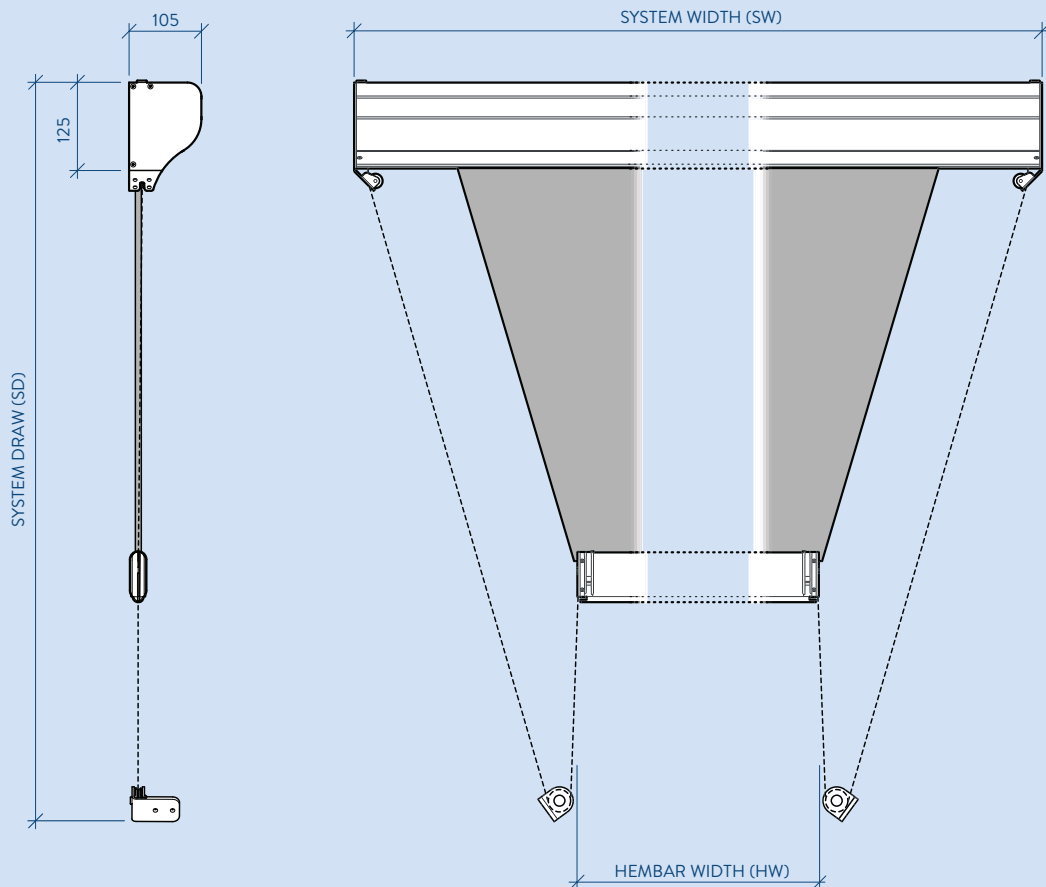


**Guthrie Douglas**

Guthrie Douglas Shading Tension Systems are distributed in Australia and New Zealand by Horiso®

Horiso®  
T: +61 2 8755 4500 E: [info@horiso.com.au](mailto:info@horiso.com.au)  
[horiso.com.au](http://horiso.com.au)

horiso®



## KEYFACTS

|                      |                                |
|----------------------|--------------------------------|
| Typical use          | Flat, curved or sloped glazing |
| Shape                | Trapezoid                      |
| Running direction    | Any                            |
| Guides               | None                           |
| Width                | 650 mm - 3000 mm               |
| Draw                 | ≤3000 mm                       |
| Fabric area          | ≤9 m <sup>2</sup>              |
| Brackets             | Aluminium                      |
| Relieving rollers    | Aluminium                      |
| Finish               | RAL Powder coat                |
| Installation options | Top, back                      |

## TECHNICALINFO

|                    |                            |
|--------------------|----------------------------|
| Fabric tension     | >100 N                     |
| Weight exc. fabric | ~8 kg + 4 kg/m width       |
| Fixing load        | ≤15 kg per bracket         |
| Operating temp.    | 0 to 55 °C                 |
| Motor              | 9 Nm, 12 rpm               |
| Electrical         | 230 V, 50 Hz, 120 W, 0.55A |
|                    | 120 V, 60 Hz, 130 W, 0.98A |
| Max run time       | 4 min                      |
| Fabric speed       | ~3 m/min                   |
| Controls           | Radio, Wired               |



Horiso®

T: +61 2 8755 4500 E: info@horiso.com.au

horiso.com.au

horiso®