



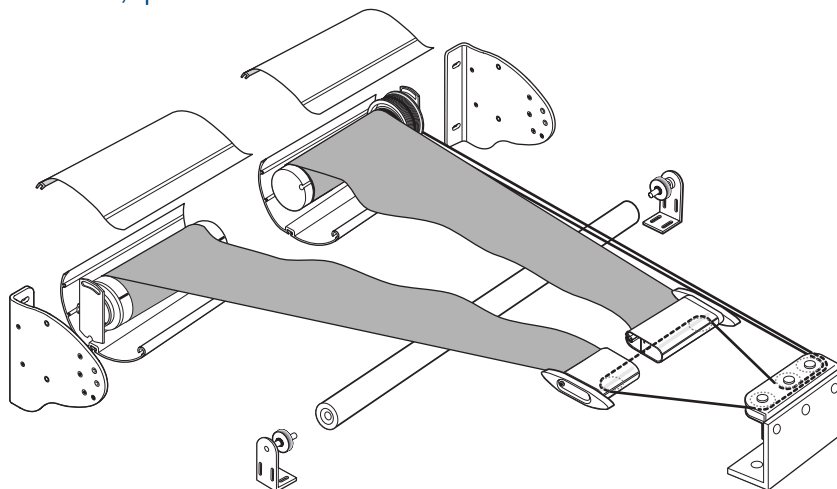
TESS401 DATASHEET

EXTERNAL TRIANGULAR TENSION SYSTEM

The tried and tested solution for triangular glazing.
Flat or curved.

Modern glazing design is anything but square. The TESS 401 covers corners and right-angled triangles and can even follow curves with the use of relieving rollers. Unlimited colour finishes and a wide range of fabrics make it suitable for any project. Our single barrel mechanism keeps the fabric constantly under tension and produces a smooth, quiet travel.

- Protective headbox
- Single barrel tension system
- 90° triangles and corners
- Angles and curves
- Reliable and robust



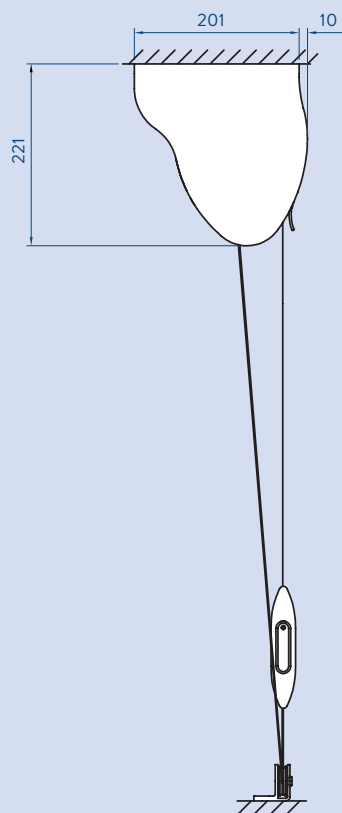
Guthrie Douglas

Guthrie Douglas Shading Tension Systems are distributed in Australia and New Zealand by Horiso®

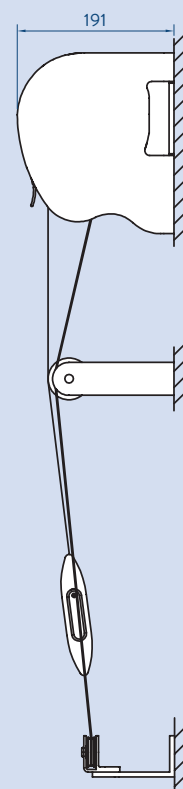
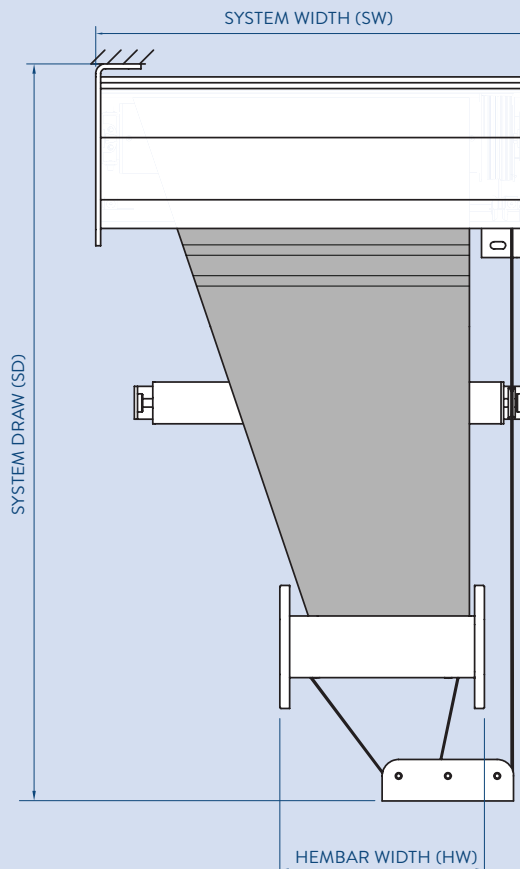
Horiso®
T: +61 2 8755 4500 E: info@horiso.com.au
horiso.com.au

horiso®

BACK FIX



BOTTOM FIX



KEYFACTS

| | |
|----------------------|--------------------------------|
| Typical use | Flat, curved or sloped glazing |
| Shape | Right angled triangle |
| Running direction | Any |
| Guides | None |
| Width | 870 mm - 4000 mm |
| Draw | ≤5000 mm |
| Fabric area | ≤9 m ² |
| Brackets | Aluminium |
| Relieving rollers | Aluminium |
| Finish | RAL Powder coat |
| Installation options | Bottom, back |

TECHNICALINFO

| | |
|--------------------|----------------------------|
| Fabric tension | >100 N |
| Weight exc. fabric | ~12.5 kg + 10.2 kg/m width |
| Fixing load | ≤36 kg per bracket |
| Operating temp. | 0 to 55 °C |
| Motor | 15 Nm, 17 rpm |
| Electrical | 230 V, 50 Hz, 140 W, 0.65A |
| | 120 V, 60 Hz, 130 W, 1.1A |
| Max run time | 4 min |
| Fabric speed | ~5 m/min |
| Controls | Radio, Wired |



Horiso®

T: +61 2 8755 4500 E: info@horiso.com.au

horiso.com.au

horiso®